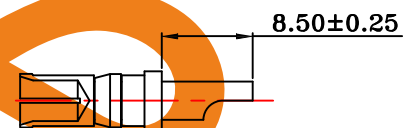
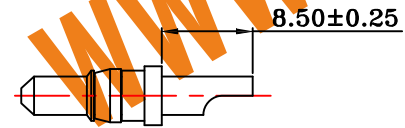
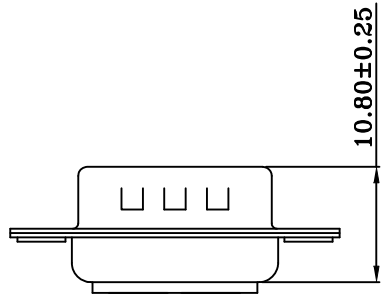
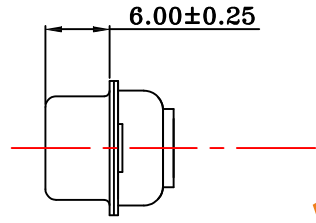
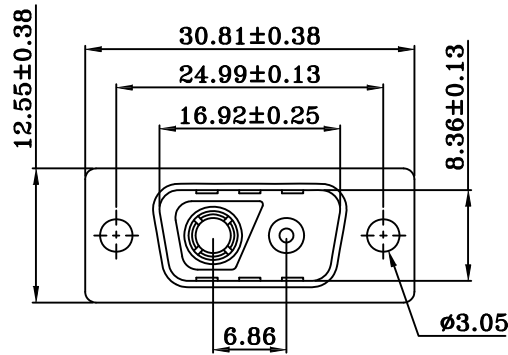
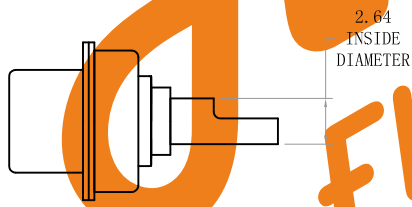


POWER D-SUB 2V2 SOLDER CUP-MALE

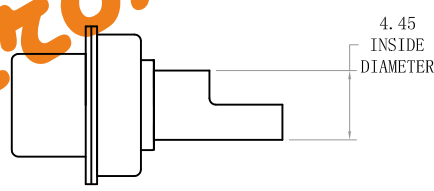
ROHS COMPLIANT



NOTE:
POWER CONTACTS COME
PRE-LOADED INTO INSULATORS



20 AMP POWER CONTACTS
ACCEPTS UP TO 12 AWG WIRE



40 AMP POWER CONTACTS
ACCEPTS UP TO 8 AWG WIRE

SPECIFICATIONS:

ELECTRICAL:

INSULATOR RESISTANCE: 5,000 MegOHMS Min.
DIELECTRIC WITHSTANDING: 1,000 VAC r. m. s.
OPERATING TEMPERATURE: -55°C ~ +125°C
CONTACT RESISTANCE: 30 MILLIOHMS Max.
POWER PINS: SEE PART No. BELOW

MECHANICAL:

CONTACT INSERTION FORCE: 4.5kg Max
CONTACT SEPARATOR FORCE: 0.3kg Min

MATERIALS:

CONTACTS: BRASS
INSULATOR: PBT UL94V-0 RATED,
230°C PROCESS TEMP.

SHELL:

STEEL

FINISH:

SHELL:

NICKEL

Ordering Code:

| | | | | | |
|--------|----|-----|----|-----|-----|
| PDB2V2 | -M | -G0 | -B | -20 | -00 |
| ① | ② | ③ | ④ | ⑤ | ⑥ |

① Series

② Contact Type:
M:Male F:Female

③ Contact NO. :
G0: Gold flash G1: 3u" Gold
G2: 5u" Gold G3: 10u" Gold
G4: 15u" Gold G5: 30u" Gold

④ Insulation Color Code:
B:Black L:Blue
W:White

⑤ Power AMP:
10 = 10AMPS; 20 = 20AMPS;
30 = 30AMPS; 40 = 40AMPS;

⑥ Series no

Unless Otherwise specified tolerance
X.±0.35
X.X:±0.25
X.XX:±0.20
X.XXX:±0.15

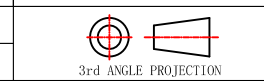


SCALE: 1:1

UNIT:
mm

DRAWN: junfon H
CHECKED: YANG

TITLE:
POWER D-SUB 2V2 SOLDER CUP-MALE



DRAWING NO: PDB2V2-MXXXXX00
PRODUCT NO: PDB2V2-MXXXXX00

| | | |
|-----|-----------------------|---------|
| REV | Add option of plating | 12/7/17 |
| 1 | DESCRIPTION | DATE |

